

# TS



GEZE TS 3000 V

Overhead rack and pinion door closer with guide rail, DIN EN 1154, size range 1-4

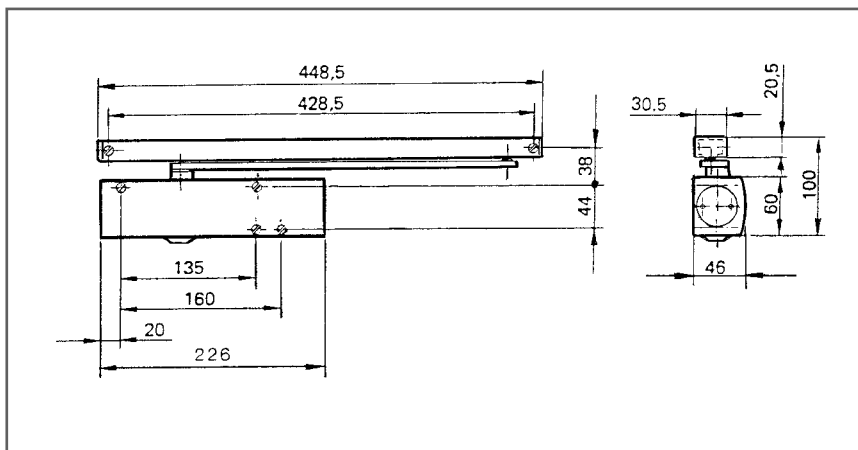


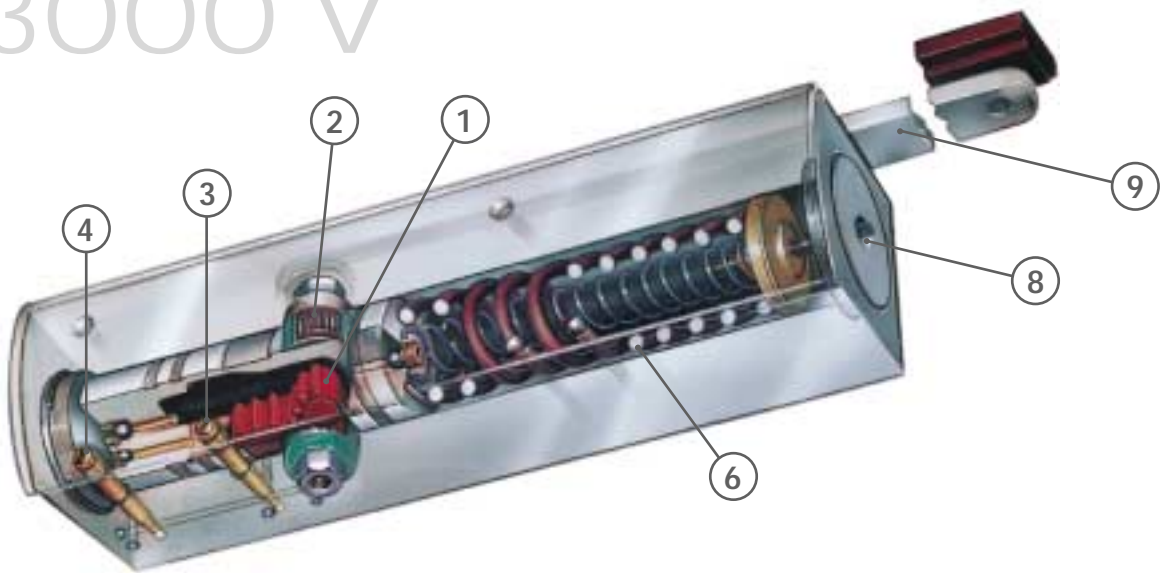
Fig. 1

# Technology

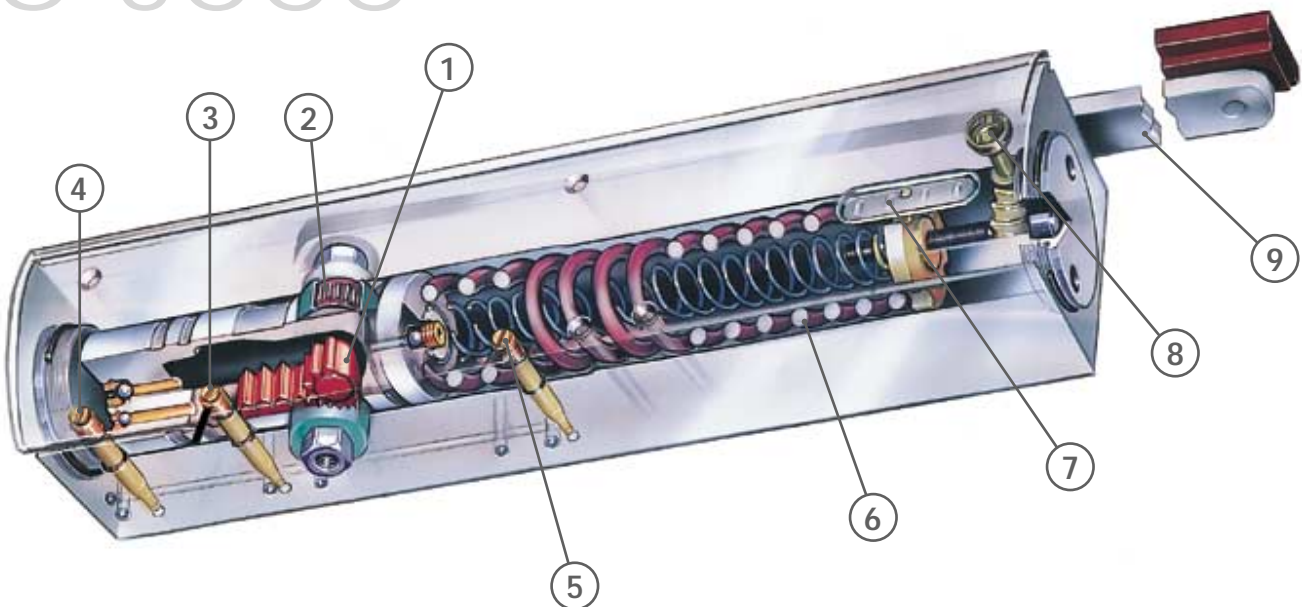
Door closers **GEZE TS 3000 V** and **GEZE TS 5000**

- |   |   |   |                          |   |                         |
|---|---|---|--------------------------|---|-------------------------|
| 1 | Rack and pinion gear with integrated transmission | 4 | Latching action adjuster | 7 | Closing force indicator |
| 2 | Needle bearing                                    | 5 | Backcheck adjuster       | 8 | Closing force adjuster  |
| 3 | Closing speed adjuster                            | 6 | Springs                  | 9 | Lever                   |

## TS 3000 V



## TS 5000



# 3000 V

## Product features

- ▶ Adjustable closing force
- ▶ Adjustable, hydraulic latching action (can be adjusted from front)
- ▶ Adjustable, thermo-constant closing speed (can be adjusted from front)
- ▶ Streamlined
- ▶ Housing and guide rail available in following colours: silver, dark bronze, white, RAL colours on request

## Applications

- ▶ For single action doors
- ▶ Can be used for right and left hand doors without adjustment
- ▶ For smoke and fire doors with provision for DIN closer
- ▶ If the door closer is to be fitted to smoke and fire doors, a mounting plate is usually required
- ▶ Leaf width up to 1100 mm

## Standard version/package

**GEZE TS 3000 V** closer complete with guide rail, mounting material, and fitting template (mounting plate not included).

## Version with mechanical hold-open<sup>1)</sup>

Installation of the hold-open unit in the appropriate guide rail allows infinitely variable door hold-open. The retaining force for the hold-open can be adjusted. The hold-open can therefore be disabled.

A mounting plate is available for doors to which the closer cannot be directly mounted.

## TS 3500 V version

A cover cap with the following finishes is available for the closer: silver, dark bronze, white, polished brass, stainless steel, RAL colours on request.

Guide rails and lever arms are available with the following finishes: silver, dark bronze, white, brass effect, stainless steel effect, RAL colours on request.

TS 3000 V

<sup>1)</sup> Not permitted for use with smoke and fire doors.

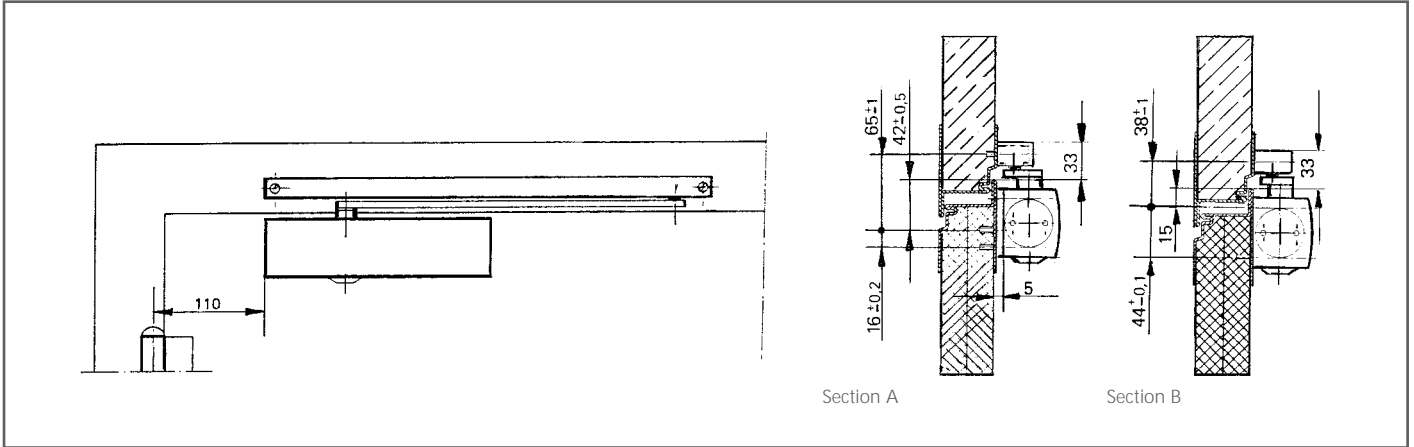


Fig. 2

**Mounting, door leaf on hinge side with guide rail  
Standard version**

Example showing the mounting of **GEZE TS 3000 V**, see Fig. 2  
Section A: mounting with mounting plate  
Section B: mounting without mounting plate <sup>1)</sup>

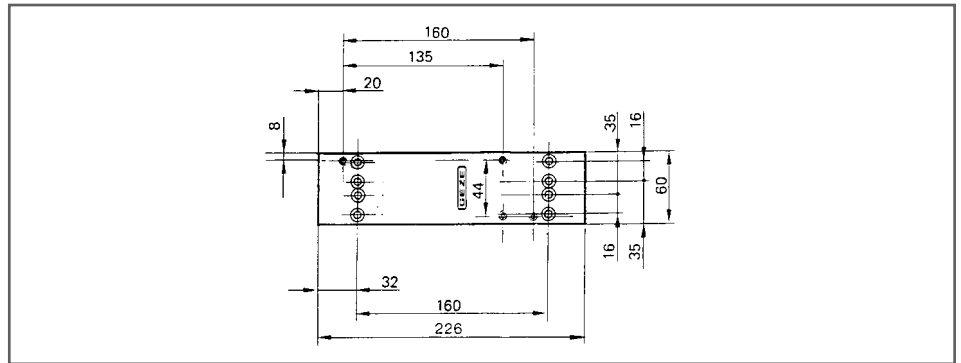


Fig. 3

**Mounting with mounting plate**

Mounting plate, 5 mm thick, for doors without direct closer mounting, see Fig. 3

Mounting dimensions for left hand door, see Fig. 4

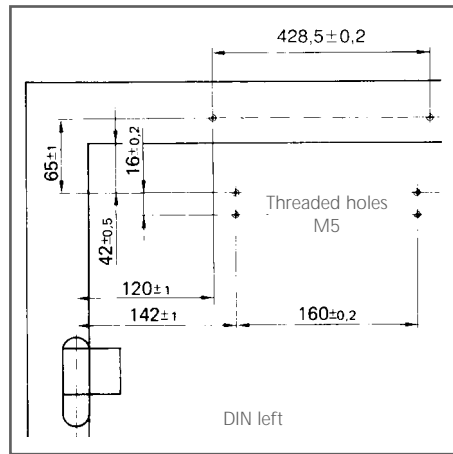


Fig. 4

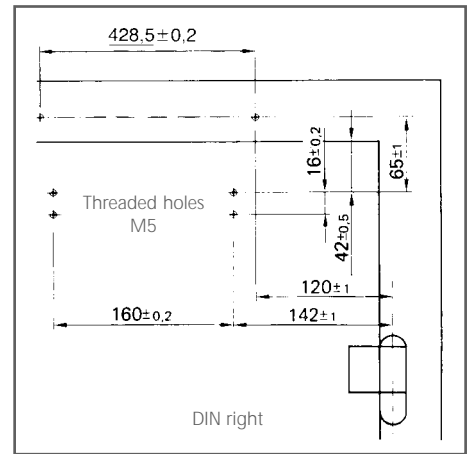


Fig. 5

Mounting dimensions for right hand door, see Fig. 5

**Direct mounting<sup>1)</sup>**

Mounting dimensions for left hand door, see Fig. 6

Mounting dimensions for right hand door, see Fig. 7

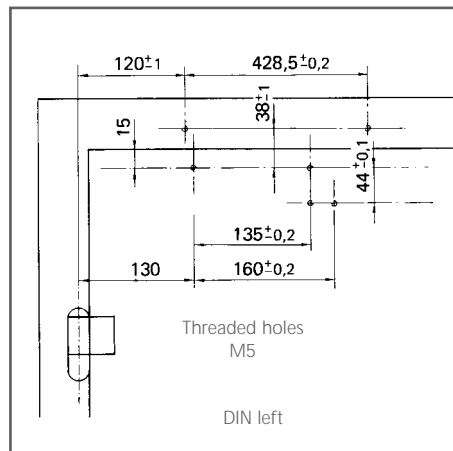


Fig. 6

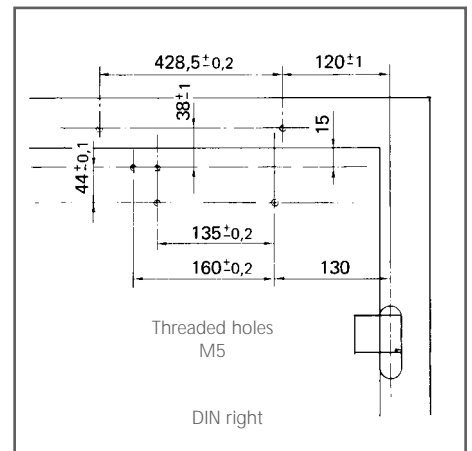


Fig. 7

<sup>1)</sup> Not permitted for use with smoke and fire doors.

**Transom mounting on hinge side with guide rail Standard version<sup>1)</sup>**

Example showing the mounting of a **GEZE TS 3000 V** on the frame, see Fig. 8.

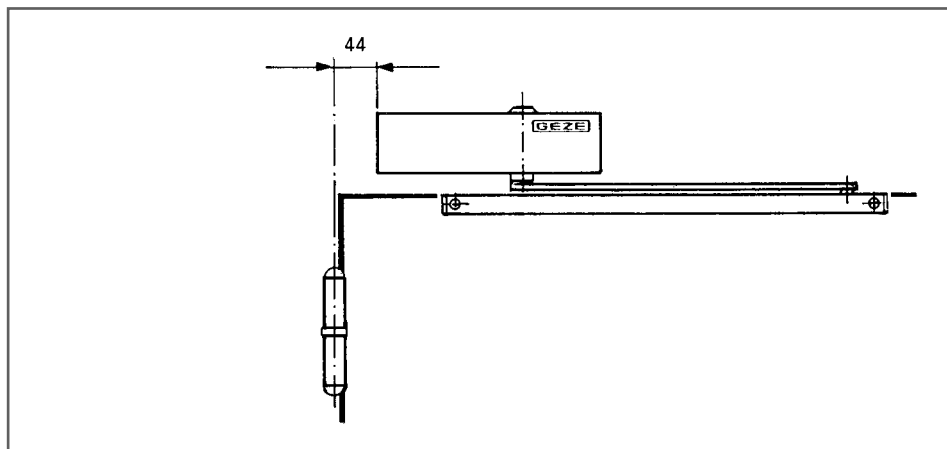


Fig. 8

**Direct mounting<sup>1)</sup>**

Mounting dimensions for left hand door, see Fig. 9

Mounting dimensions for right hand door, see Fig. 10

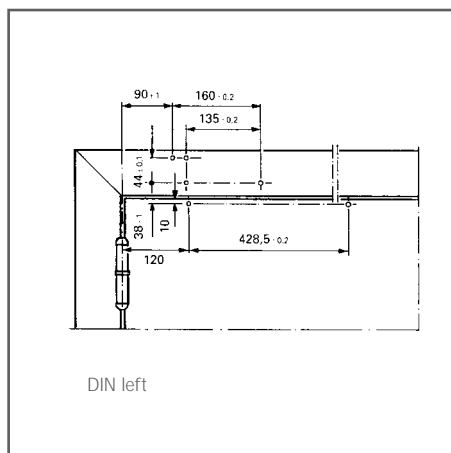


Fig. 9

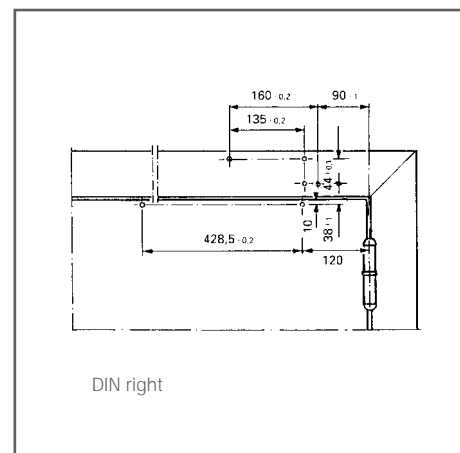


Fig. 10

**Mounting with mounting plate**

Mounting dimensions for left hand door, with mounting plate see Fig. 11

Mounting dimensions for right hand door, with mounting plate see Fig. 12

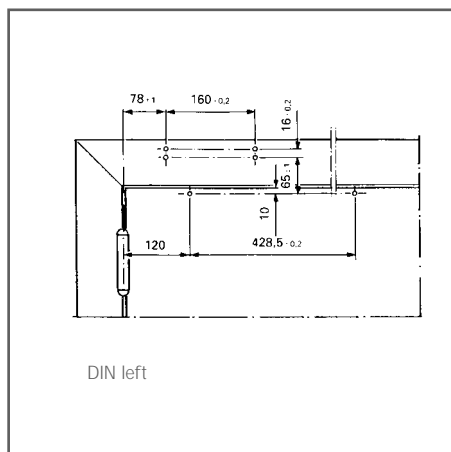


Fig. 11

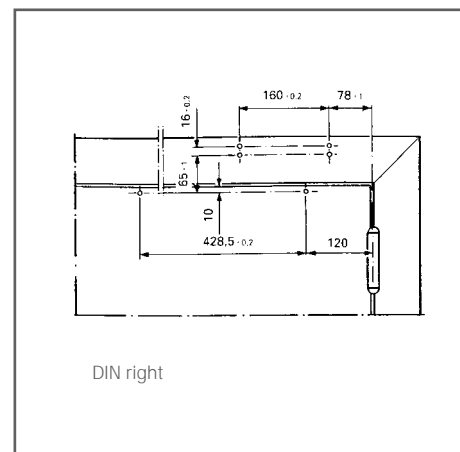


Fig. 12

Door closer size EN	Door leaf width to EN (mm)
Size 1 <sup>2)</sup>	to 750
Size 2 <sup>2)</sup>	over 750 to 850
Size 3	over 850 to 950
Size 4	over 950 to 1100
Size 1: lower stop (factory setting) Size 4: upper stop (8 revolutions)	

**Explanations**

The door closer size (closing force of the closer) must be selected appropriate to the door width.

The next highest size must be selected if the structural (door height, door weight) or local

conditions (wind influence) make this necessary.

The **GEZE TS 3000 V** covers several door closer sizes in one housing. These sizes can be adjusted using an adjustment screw.

1) Not permitted for use with smoke and fire doors.  
2) In accordance with EN, these sizes must not be set for fire doors.

**Mounting on door leaf on side opposite hinge with guide rail OH<sup>1)</sup>**

Example showing the mounting of a **GEZE TS 3000 V** on the door leaf, see Fig. 13

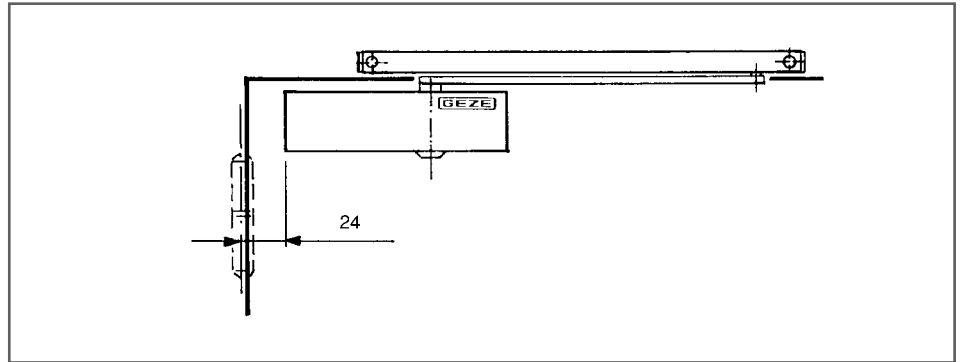


Fig. 13

**Direct mounting<sup>1)</sup>**

Mounting dimensions for right hand door, see Fig. 14

Mounting dimensions for left hand door, see Fig. 15

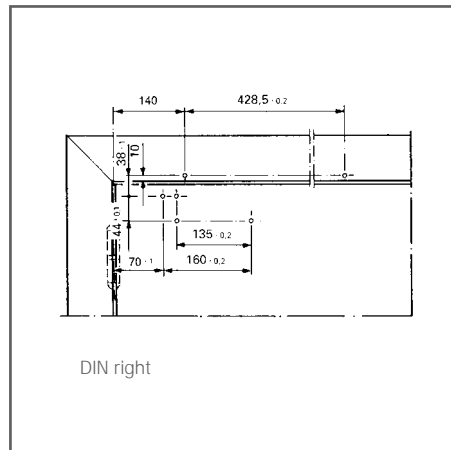


Fig. 14

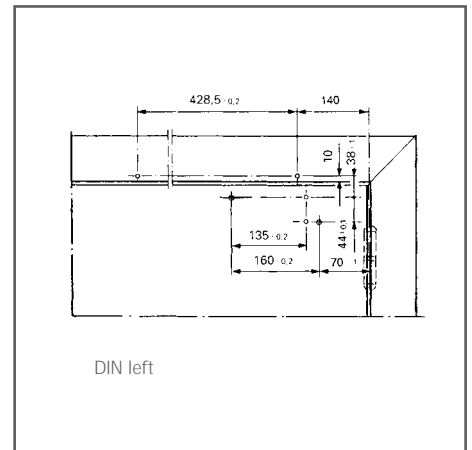


Fig. 15

**Mounting with mounting plate**

Mounting dimensions for right hand door, see Fig. 16

Mounting dimensions for left hand door, see Fig. 17

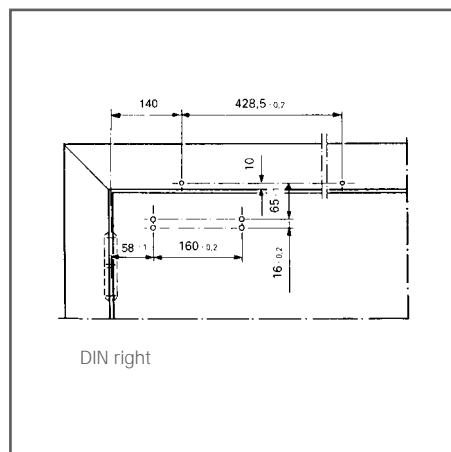


Fig. 16

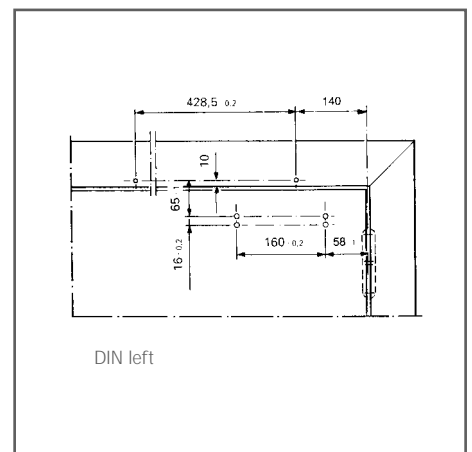


Fig. 17

1) Not permitted for use with smoke and fire doors.

**Mounting on side opposite hinge with guide rail Standard version<sup>1)</sup>**

Example showing the mounting of a **GEZE TS 3000 V** on the frame, see Fig. 18

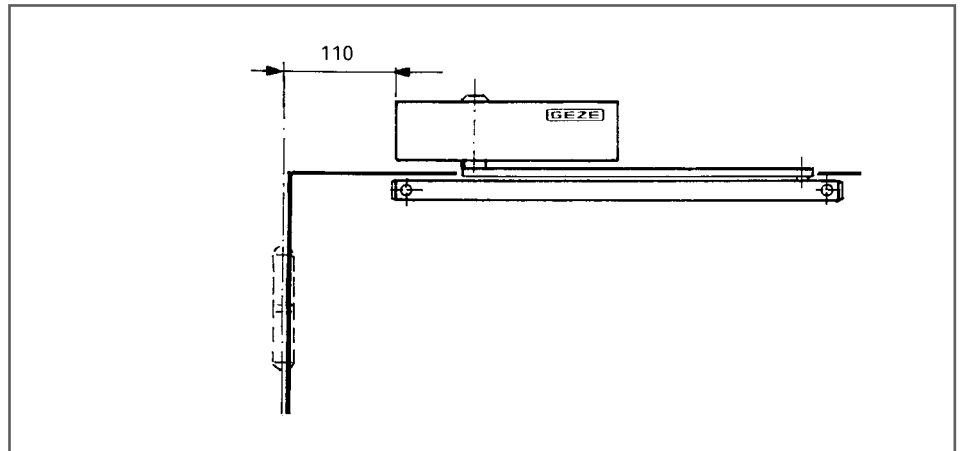


Fig. 18

**Direct mounting<sup>1)</sup>**

Mounting dimensions for right hand door, see Fig. 19

Mounting dimensions for left hand door, see Fig. 20

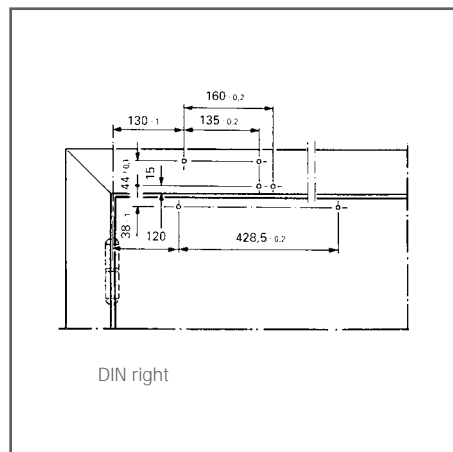


Fig. 19

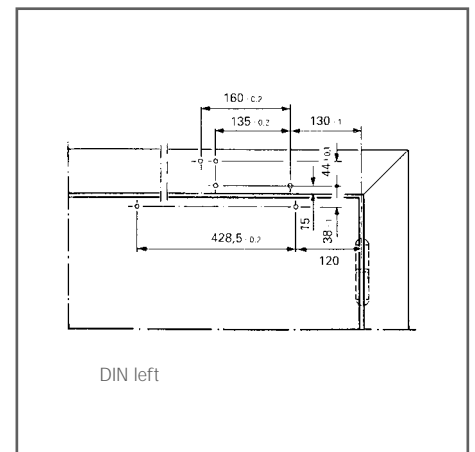


Fig. 20

**Mounting with mounting plate**

Mounting dimensions for right hand door, see Fig. 21

Mounting dimensions for left hand door, see Fig. 22

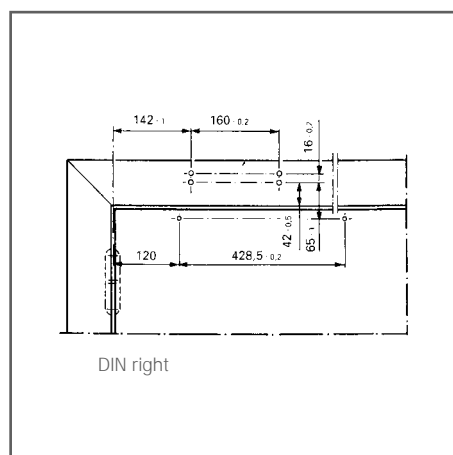


Fig. 21

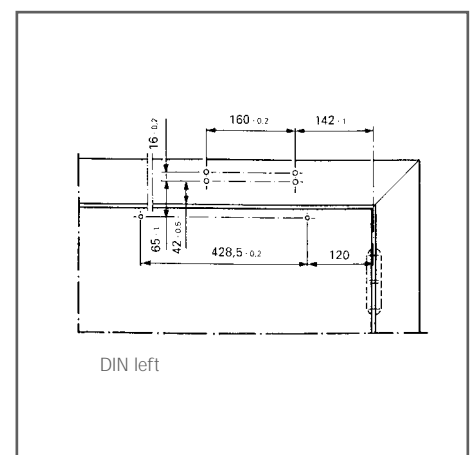


Fig. 22

1) Not permitted for use with smoke and fire doors.

Overhead rack and pinion door closer **GEZE TS 3000 V**

## Ordering text

Description	Finish	ID No.
<b>GEZE TS 3000 V</b> , size 1–4, Closer without guide rail, without lever	silver	028348
	dark bronze	028349
	white RAL 9010	031208
	white RAL 9016	028350
	RAL colour	028351
Guide rail with lever arm	silver	068221
	dark bronze	068222
	white RAL 9010	031216
	white RAL 9016	015695
	brass effect	067985
	stainless steel effect	014945
	RAL colour	000773
Guide rail OH with lever arm (for mounting to door leaf, side opposite hinge)	silver	025655
	dark bronze	029403
	white RAL 9010	031221
	white RAL 9016	029404
	brass effect	–
	stainless steel effect	028732
	RAL colour	025656
Hold-open unit <sup>1)</sup>	–	071924
Opening restrictor <sup>1)</sup>	–	069780

## Mounting material

Description	Finish	ID No.
Mounting plates for doors to which the closer cannot be directly mounted	silver	011230
	dark bronze	011232
	white RAL 9016	011233
	RAL colour	011234
Clamping plate for plate glass doors	silver	014835
	dark bronze	014836
	white RAL 9016	014843
	RAL colour	014845
Mounting plate and counterplate for plate glass doors	silver	090259
	RAL colour	090260
Drilling template	–	053134

1) Not permitted for use with smoke and fire doors.

## Accessories

Description	Finish	ID No.
Cover caps* for <b>GEZE TS 3500 V</b>	silver	013487
	dark bronze	014849
	white RAL 9010	031214
	white RAL 9016	014855
	polished brass	072770
	stainless steel	072769
	RAL colour	014856
* Cover caps only suitable for direct installation		

## Feature

Overhead rack and pinion door closer  
**GEZE TS 3000 V**, to  
DIN EN 1154 A, size 1 - 4,  
Guide rail with lever arm,  
standard mounting on  
door leaf hinge side,  
adjustable closing force.

Colour:  
 silver  
 dark bronze  
 white  
 RAL ....

# TS 3000 V