



A NEW GENERATION OF HIGH SECURITY PRODUCTS

A NEW GENERATION OF HIGH SECURITY PRODUCTS



MT5[™]



MT5[™] INTRODUCING THE
NEW **MT5**[™] SYSTEM

MUL-T-LOCK (UK) LIMITED
Welland House, Corby, Northamptonshire, NN18 9QD

t/01536 46 11 11 f/01536 460189
email/enquires@mul-t-lock.co.uk www.mul-t-lock.co.uk

The new **MT5™** cylinder system from Mul-T-Lock leads the way in technical advancements.

A NEW LEVEL IN PHYSICAL HIGH SECURITY

MT5™

For the past three years, Mul-T-Lock's expert R&D team has been busy perfecting a brand new locking concept that would address its customer's security requirements worldwide.

Following extensive market research and feedback from both locksmith partners and their customers, Mul-T-Lock have developed their fifth high security cylinder platform....

MT5 is the latest cylinder system from Mul-T-Lock and follows a long line of high performance security cylinder ranges, marketed globally for over 30 years.

The MT5 cylinder range is the third platform to be released by Mul-T-Lock since joining the Assa Abloy Group at the turn of the century.



MT5™ CYLINDER

Introducing the New **MT5™** cylinder, featuring double active locking mechanism, telescopic pins & top bar.



HIGH PERFORMANCE PRODUCTS FORM COMPLETE PEACE OF MIND

MT5™ CYLINDER & KEY

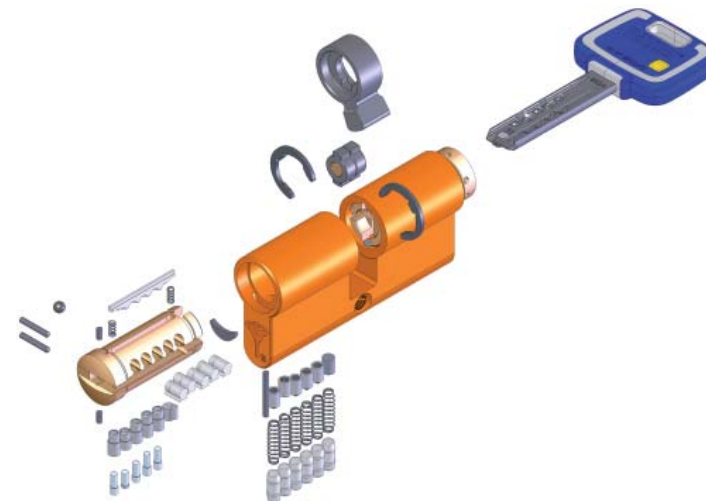
This new-generation product, based on Mul-T-Lock's well-honed telescopic pin technology, features an innovative locking concept. The new system consists of two complementary mechanisms that operate independently while enhancing one another: a primary set of 10 telescopic pins, provides an extensive number of usable combinations with an extra 5 pin locking bar helping to generate literally millions more.

Other advantages of the **MT5™** platform include: the Alpha Spring, a new patented feature located at the tip of the flat key, increasing key protection.

A double-moulded design gives the durable nylon key-head a totally stylish look. With strong tamper-resistance, anti-picking features, anti-drill protection and industry leading bump-key resistance, the **MT5™** cylinder brings a new dimension in cylinder security for locksmiths and consumers alike.

Mr. Effi Ben Aharon, R&D Manager Cylinders division Mul-T-Lock Technologies, who headed the **MT5™** project team believes "with this new system, Mul-T-Lock can continue to offer its customers high quality, security products but supported by an even higher level of key security".

The huge number of useable combinations allows the **MT5™** locksmith the ability to satisfy the needs of all customers requiring anything from one cylinder for their home to tens of thousands of masterkeyed cylinders for their commercial applications".



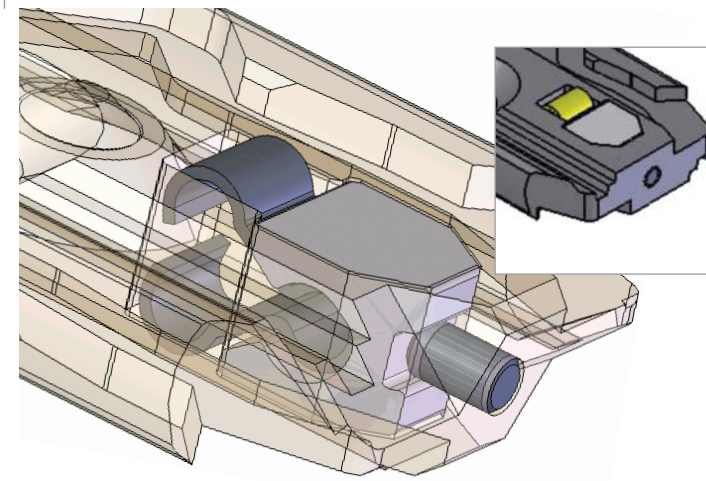
MT5™ A BRAND NEW LOCKING CONCEPT FROM MUL-T-LOCK

The new **MT5™** locking solution from Mul-t-lock features not only a new patented double sided flat key, a mobile patent and a cylinder, with double active locking mechanism, it also has telescopic pins & top bar.

Using this technology, the new **MT5™** system can support very large complex master key systems, incorporating hierarchy and matrix requirements within the same suite if needed.

Along with this new technology, there is also a brand new, highly intelligent, key cutting machine, which yet again looks set to push the boundaries in a highly competitive marketplace.

The product range available for the new **MT5™** system includes; Euro profile cylinders, UK Oval profile cylinders, Scandinavian type cylinders, Rim cylinders, Threaded mortice cylinders and a full range of padlocks.



THE PATENTED ALPHA SPRING – MORE FORWARD THINKING FROM MUL-T-LOCK

The **MT5™** key features a revolutionary mobile interacting spring in the tip of the key – **The Alpha Spring.**

The spring free length is longer than the key thickness itself, when inserted into the keyway the spring deflects.

The Alpha spring is the third technology incorporated within the **MT5™** system. This feature requires the Alpha spring to locate within the cylinder and engage with a unique pin at the rear of the mechanism creating another shearline.

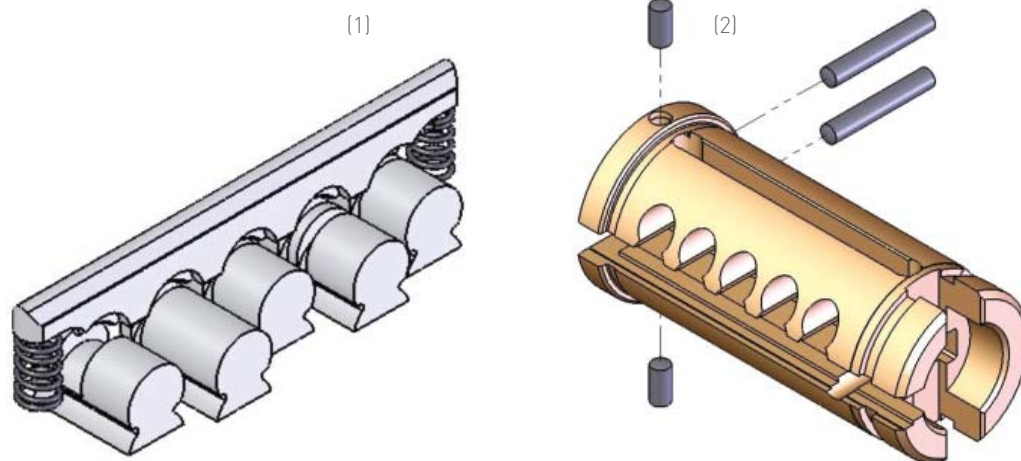


MT5™ THE TOP BAR

The top bar mechanism is one of the three technologies incorporated within the **MT5™** cylinder system [1].

Correct alignment of the top bar pins is dependant upon a combination correct key being inserted into the cylinder. The milled pattern which runs along the length of the key interacts with the top bar horizontal pins creating the required shearline.

The top bar mechanism, along with the telescopic pin mechanism; are protected by a series of drill resistant steel inserts [2].



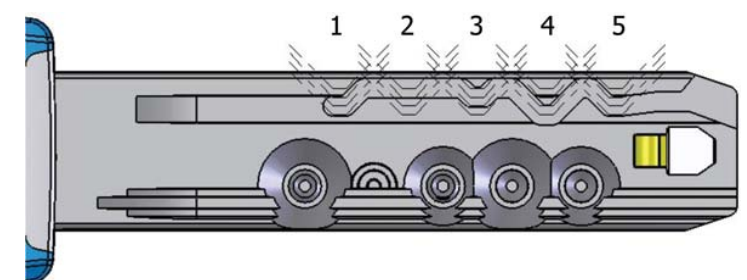
THE MT5™ KEY – TOTAL CONTROL, TOTAL SAFETY, ULTIMATE SECURITY



All **MT5™** cylinder products are operated by a double sided unique **MT5™** key.

The key itself, it manufactured from nickel silver and supports double cut combinations on both sides. One set of cuts are for the telescopic pin mechanism and the other cut, the milled slot is for the Top Bar. The alpha spring is pre determined within the key.

The stylish key head is double injection moulded to the flat key at manufacturing, and incorporates a colour coding facility for ease of key identification.



MT5™ MAGNETIC STRIP SECURITY CARD

The **MT5™** key secure system, is supported by the unique key authorisation mag stripe card. This card must be presented to the Locksmith to enable additional keys to be supplied.

The mag stripe card must be presented to the dedicated **MT5™** key duplication machine to allow configuration to your required key code.

The machine cannot be manipulated to allow manual over-ride, this feature further ensures customers of their personnel key security.

Each card is personalised, and features a magnetic strip on the reverse side.



MEETING CUSTOMERS SECURITY REQUIREMENTS WORLDWIDE

SECURITY CARD

A unique security card must be presented to the dedicated **MT5™** key duplication machine to authorise additional keys to be produced.



MT5™ KEY CONTROL

Whether purchasing a single key for your home or thousands of keys for your organisation, the

MT5™ system provides true key control. Colour coding allows for easy identification of keys.

THE MT5™ KEY



KC5 – A REVOLUTION IN KEY CUTTING

Mul-t-lock's new **MT5™** security system sees the introduction of the KC5 – our most innovative cutting machine ever.

When we developed the **MT5™** we also introduced the KC5, our most technologically advanced key cutting machine.

Although the machine features a new innovative operating system, it is remarkably simple to use, it can be operated by

using the specific **MT5™** key security magnetic card, or has the option of a PC interface.

The KC5 can handle all MTL keys, and **MT5™** keys can be cut using the customers own magnetic strip security card.

- A new, intelligent, fully automatic KCM
- Multi platform
- Upgrade capability
- Self calibration
- Easy to operate by magnetic card
- Option for PC user interface
- Cuts all Mul-T-Lock key types
- Upgrading capabilities by a magnetic card
- Modern, stylish design
- 3 spindles with cutting tools according to configuration
- Magnetic card reader
- Simplified keyboard and display
- Horizontal configuration design - 450Wx330Dx270H
- Manual key grip by precision vice
- Automatic cutting data loading using customer magnetic card – MT5 key
- Manually cutting data loading or through computer serial connection - Classic, Interactive, 7X7, Integrator keys
- Left/right automatic adapting



WORKING PROCEDURE

STARTUP

- A main switch will connect the power to machine's systems.
- The display will guide the operator through the start procedure.
- Automatic tool length presetting (measuring) will be performed upon each machine switching on.

CUTTING MT5™

- Swiping the customer's card to read the code and keyway.
- Display shows "CLAMP KEY PROFILE XXX"
- Operator clamps the key and pushes the start push button.
- The machine cuts the first side
- Display shows "TURN THE KEY"

- Operator turns the key and pushes the start push button
- The machine cuts the second side
- Further keys cut on demand
- Manual or computer USB link input of code and keyway to determine L/R key
- Cuts for back pins will be performed at the same clamping with the main codes cutting.

